



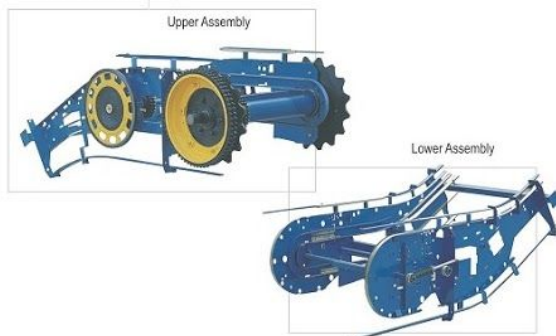
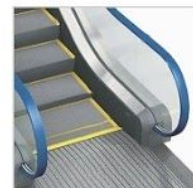
# ESCALATOR

## ESCALATOR ←

- ▶ Escalator suitable for hotels, office buildings, super markets, and airports.
- ▶ The step width can be 600mm, 800mm and 1000mm.
- ▶ The inclination can be 30° & 35°.
- ▶ The alternative function includes VVVF, auto-lubrication & error analysis.
- ▶ The requirements can be customized.

### Functions

- ▶ Automatic inspection status transformation
- ▶ Handrail entrance device
- ▶ Up and down start key
- ▶ Emergency button/operation brake control
- ▶ Broken step chain safety device
- ▶ Comb safety device/ Protection from over speed
- ▶ Non-reversing safety device
- ▶ Inspection device
- ▶ Overload protection
- ▶ Control device for handrail breakage
- ▶ Phase monitoring relay
- ▶ Auxiliary brake [H>6.0m]



### Standard



### Designs

Artistic designs with smooth and natural lines

### Option



### Robust

Strength with comfort and low noise



### Safety

Elimination of the Source of Safety Hazards

### COMB LIGHTING



### SKIRTING BRUSH



### SKIRTING LIGHTING



### Handrail color (Optional and diversified handrail colors)

